

ASSEMBLY INSTRUCTIONS



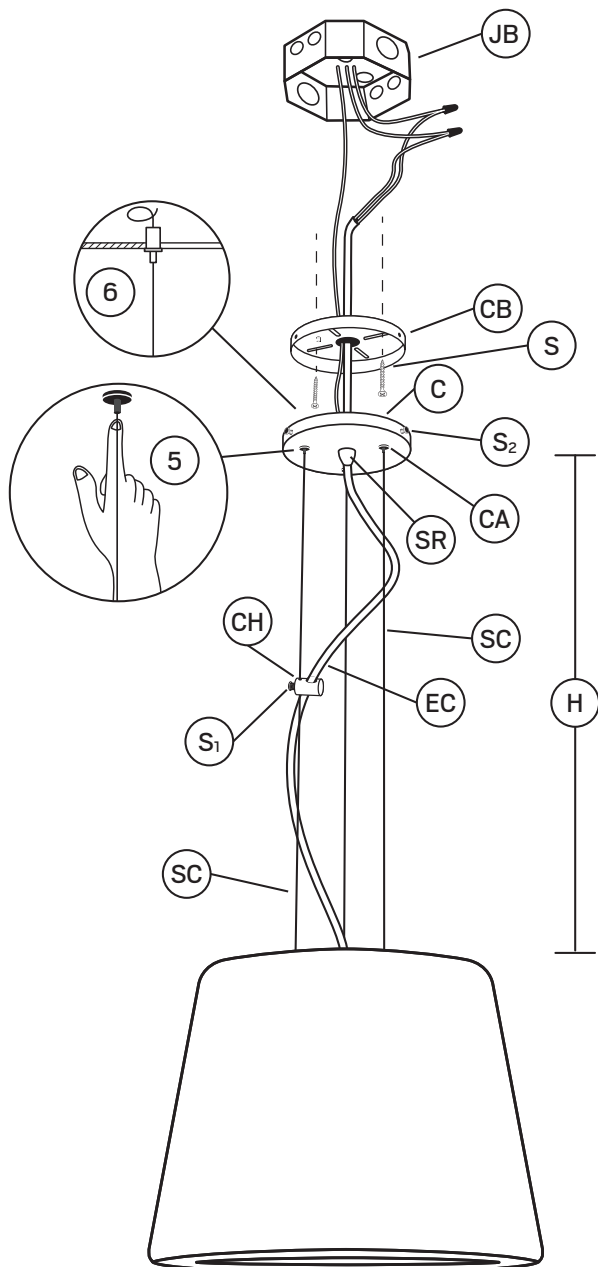
CAUTION! Make sure electricity is off before and during installation or maintenance. The luminaire must be installed by a qualified professional in accordance with all applicable local regulations.

This luminaire is designed for indoor or sheltered use.

The location chosen for installation must support the weight of the product. If needed, secure the luminaire to structural elements such as beams and slabs. Installations in special locations require appropriate fixings.

Models Lamps

Lyon	1x E-26
Noah	1x E-26
Paris	1x E-26
Sapinus	1x E-26



Description: pendants with 3 steel cables ceiling

Composition: ceramics

Instructions:

1) Remove the product's protective packaging, taking care not to damage any of the parts with sharp surfaces or objects.

Place the parts of the fixture on a horizontal surface to connect them; if needed, use the protection package to shield the surface and protect the parts from scratches or damage.

2) Turn off the electricity before starting to install.

3) Remove the cover or old fixture from the junction box (JB).

4) Fix the crossbar (CB) of the luminaire in the junction box (JB), using the screws (S).

5) Choose the height of the pendant and insert the steel cable (SC) into the cable anchors (CA) on the canopy (C).

6) Hide the excess steel cable (SC), winding it inside the canopy (C).

7) After assembling the canopy (C), raise the piece to the ceiling and adjust the height as shown in the illustration.

Adjustment for the height of the piece:

Choose the desired height (H) of the piece.

The energy cable (EC) must be longer than the steel cable (SC) to curve as per the drawing. The pendant's curve will be determined by the positioning of the cable holder (CH).

Press the cable anchors (CA) to release the steel cable (SC), adjust the height and release it to lock. You can make final adjustments after installing the piece.

8) Insert energy cable (EC), through cable holder (CH), strain relief (SR), and canopy (C).

9) Adjust the length of the energy cable (EC) and affix the cable holder (CH) using the screw (S1) as shown in the illustration.

10) Connect the energy cables (EC) in accordance with applicable local codes.

11) After finishing the electrical connection, insert the excess energy cable (EC) into the junction box (JB).

12) Raise the canopy (C) to the ceiling and fix it by screwing the screws (S2) to the crossbar (CB) until the canopy (C).

13) Once the luminaire is suspended and leveled, if necessary, adjust the cable holder (CH), install the bulb lamp (not supplied), turn on the electrical power and your luminaire is ready to be used.



ATTENTION! Failure to comply with the instructions in this manual may cause accidents and void the product warranty. It is recommended that you read these instructions completely and carefully before proceeding. Make sure that the rated voltage requirements of the luminaire are compatible with the electric supply. Improper installation may cause property damage, fire, personal injury, or death. This Installation Manual is intended only for qualified electricians with proven knowledge about electrical installations and should be used as a manual for installing luminaires. All manufacturer's instructions accompanying the product must be followed. We stress the need for knowledge about electrical installation; hire an electrician.

Save these instructions for future reference.

Geo Contemporary warrants coverage against manufacturing defects, including electrical components and finishes, for a period of 3 years under normal conditions of use from the date of purchase. For warranty service contact your local dealer for more information. Proof of purchase date will be required for warranty validation.

The Manufacturer's responsibility regarding the product warranty is related to the correct observation of the instructions contained in this Manual. The Manufacturer is not responsible for any damages to the product caused by accidents, alterations of any nature, misuse, or improper installation. See our website for more details on warranty conditions.