

## ASSEMBLY INSTRUCTIONS



**CAUTION!** Make sure electricity is off before and during installation or maintenance. The luminaire must be installed by a qualified professional in accordance with all applicable local regulations.

**This luminaire is designed for indoor or sheltered use.**

The location chosen for installation must support the weight of the product. If needed, secure the luminaire to structural elements such as beams and slabs. Installations in special locations require appropriate fixings.

### Models Lamps

Moana S 1x E-26  
Moana L 1x E-26

**Descriptions:** swing arm lamp Moana Small and Moana Large

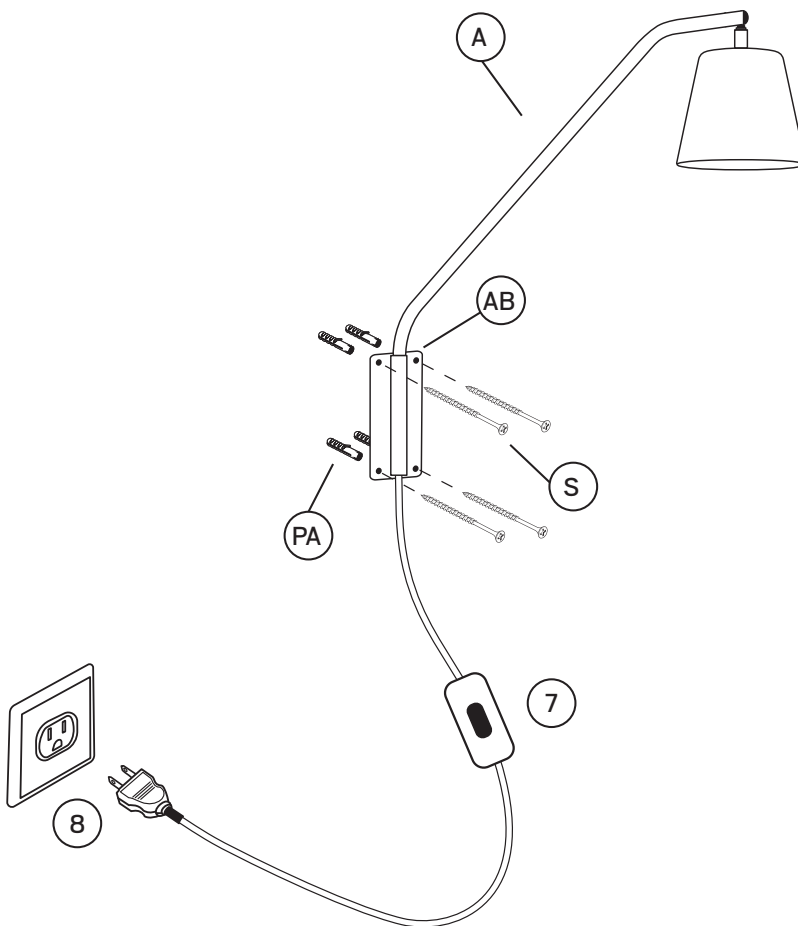
**Composition:** ceramic and steel

### Instructions:

- 1) Remove the product's protective packaging, taking care not to damage any of the parts with sharp surfaces or objects.

Place the parts of the fixture on a horizontal surface to connect them; if needed, use the protection package to shield the surface and protect the parts from scratches or damage.

- 2) Turn off the electricity before starting to install.
- 3) Determine the position of the arm (A), on the wall where the fixture will be installed. Make sure it is level and adjust the height and position as desired.
- 4) Mark on the wall where the holes should be made, taking in account the position of the arm base (AB).
- 5) Use a drill and a 1/4" drill bit to make the holes in the wall, insert the plastic anchors (PA), and attach the arm base (AB), to the wall using screws (S).
- 6) Install the light bulb (not provided) into the socket.
- 7) Use the switch on the power cord to turn the fixture on/off.
- 8) Plug into an outlet and your fixture is ready to use.



**ATTENTION!** Failure to comply with the instructions in this manual may cause accidents and void the product warranty. It is recommended that you read these instructions completely and carefully before proceeding. Make sure that the rated voltage requirements of the luminaire are compatible with the electric supply. Improper installation may cause property damage, fire, personal injury, or death. This Installation Manual is intended only for qualified electricians with proven knowledge about electrical installations and should be used as a manual for installing luminaires. All manufacturer's instructions accompanying the product must be followed. We stress the need for knowledge about electrical installation; hire an electrician.

Save these instructions for future reference.

Geo Contemporary warrants coverage against manufacturing defects, including electrical components and finishes, for a period of 3 years under normal conditions of use from the date of purchase. For warranty service contact your local dealer for more information. Proof of purchase date will be required for warranty validation.

The Manufacturer's responsibility regarding the product warranty is related to the correct observation of the instructions contained in this Manual. The Manufacturer is not responsible for any damages to the product caused by accidents, alterations of any nature, misuse, or improper installation. See our website for more details on warranty conditions.