

ASSEMBLY INSTRUCTIONS

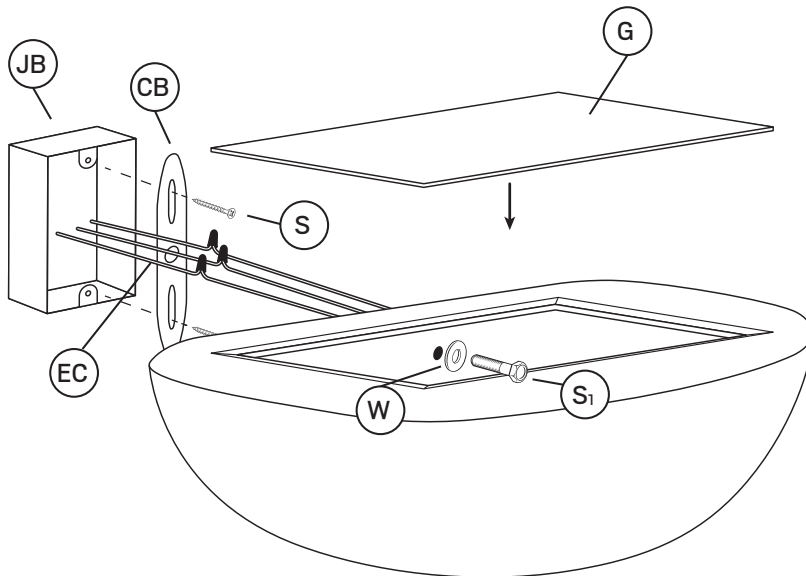


CAUTION! Make sure electricity is off before and during installation or maintenance. The luminaire must be installed by a qualified professional in accordance with all applicable local regulations.

This luminaire is designed for indoor or sheltered use.

The location chosen for installation must support the weight of the product. If needed, secure the luminaire to structural elements such as beams and slabs. Installations in special locations require appropriate fixings.

Models	Lamp
Ayla	1 x E-26
Labi Small	1 x E-26
Labi Large	1 x E-26
Rana	1 x E-26



Descriptions: wall sconce 1 screw with glass top supported

Composition: ceramic and tempered glass

Instructions:

- 1) Remove the product protective packaging, taking care not to damage any of the parts with sharp surfaces or objects.
Place the parts of the fixture on a horizontal surface to connect them; if needed, use the protection package to shield the surface and protect the parts from scratches or damage.
- 2) Turn off the electricity before starting to install.
- 3) Remove the cover or old fixture from the junction box (JB).
- 4) Fix the crossbar (CB) of the luminaire in the junction box (JB), using the screws (S).
- 5) Connect the energy cables (EC) in accordance to applicable local codes.
- 6) After making the electrical connections, insert the excess energy cable (EC) into the junction box (JB).
- 7) Fix the fixture to the wall using the screw (S1) and washer (W) on the crossbar (CB) until it is securely in place (tighten manually).
- 8) Install the light bulb (not provided), position the glass (G), turn on the power, and your fixture is ready to use.



ATTENTION! Failure to comply with the instructions in this manual may cause accidents and void the product warranty. It is recommended that you read these instructions completely and carefully before proceeding. Make sure that the rated voltage requirements of the luminaire are compatible with the electric supply. Improper installation may cause property damage, fire, personal injury, or death. This Installation Manual is intended only for qualified electricians with proven knowledge about electrical installations and should be used as a manual for installing luminaires. All manufacturer's instructions accompanying the product must be followed. We stress the need for knowledge about electrical installation; hire an electrician.

Save these instructions for future reference.

Geo Contemporary warrants coverage against manufacturing defects, including electrical components and finishes, for a period of 3 years under normal conditions of use from the date of purchase. For warranty service contact your local dealer for more information. Proof of purchase date will be required for warranty validation.

The Manufacturer's responsibility regarding the product warranty is related to the correct observation of the instructions contained in this Manual. The Manufacturer is not responsible for any damages to the product caused by accidents, alterations of any nature, misuse, or improper installation. See our website for more details on warranty conditions.